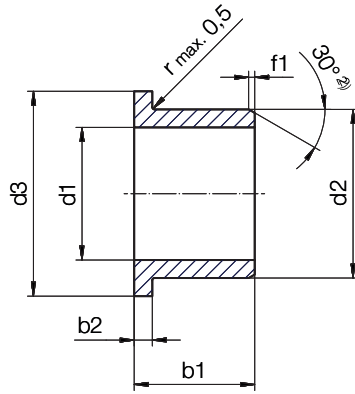


iglidur® M250 | 產品範圍

法蘭軸承 (型號 F)



²⁾ 厚度 < 1 mm : 導角 = 20°

倒角和 d1 的關係

d1 [mm]:	Ø 1-6	Ø 6-12	Ø 12-30	Ø > 30
f [mm]:	0.3	0.5	0.8	1.2

尺寸 [mm]

d1	d1- 公差 ³⁾	d2	d3 d13	b1 h13	b2 -0.14	產品型號
1.0		3.0	5.0	2.0	1.0	MFM-0103-02
1.5	+0.020	4.0	6.0	2.0	1.0	MFM-0104-02
2.0		5.0	8.0	3.0	1.5	MFM-0205-03
2.5	+0.080	6.0	9.0	3.0	1.5	MFM-0206-03
3.0		6.0	9.0	4.0	1.5	MFM-0306-04
4.0		8.0	12.0	4.0	2.0	MFM-0408-04
4.0		8.0	12.0	6.0	2.0	MFM-0408-06
4.0		8.0	12.0	8.0	2.0	MFM-0408-08
5.0		9.0	13.0	5.0	2.0	MFM-0509-05
5.0		9.0	13.0	6.0	2.0	MFM-0509-06
5.0		9.0	13.0	8.0	2.0	MFM-0509-08
6.0	+0.030	8.0	12.0	4.0	1.0	MFM-0608-04
6.0	+0.105	8.0	12.0	8.0	1.0	MFM-0608-08
6.0		10.0	14.0	4.0	2.0	MFM-0610-04
6.0		10.0	14.0	6.0	2.0	MFM-0610-06
6.0		10.0	14.0	10.0	2.0	MFM-0610-10
6.0		11.0	14.0	4.0	2.0	MFM-0611-04
6.0		12.0	14.0	6.0	3.0	MFM-0612-06
6.0		12.0	14.0	10.0	3.0	MFM-0612-10
7.0		11.0	15.0	6.0	2.0	MFM-0711-06
7.0		11.0	15.0	8.0	2.0	MFM-0711-08
8.0		9.0	13.0	5.5	0.5	MFM-0809-055
8.0	+0.040	10.0	15.0	5.5	1.0	MFM-0810-05
8.0		+0.130	10.0	15.0	7.5	1.0
8.0		10.0	15.0	9.5	1.0	MFM-0810-09
8.0		11.0	13.0	5.0	2.0	MFM-0811-05
8.0		11.0	13.0	8.0	2.0	MFM-0811-08
8.0		12.0	16.0	6.0	2.0	MFM-0812-06

³⁾ 按壓組裝後 測試方法 ▶ 頁碼 57

產品代碼

類型

尺寸 [mm]

M F M-0103-02

iglidur® 材質

型號 F

公制

內徑 - Ø d1

外徑 - Ø d2

長度 b1

DIN 1850 標準尺寸和特殊尺寸

 也可選用英制尺寸
▶ 見頁碼 1435

d1	d1- 公差 ³⁾	d2	d3 d13	b1 h13	b2 -0.14	產品型號
8.0		12.0	16.0	8.0	2.0	MFM-0812-08
8.0		12.0	16.0	12.0	2.0	MFM-0812-12
8.0		14.0	18.0	6.0	3.0	MFM-0814-06
8.0		14.0	18.0	10.0	3.0	MFM-0814-10
8.0		14.0	16.0	6.0	3.0	MFM-081416-06
8.0		14.0	16.0	10.0	3.0	MFM-081416-10
9.0		14.0	19.0	6.0	2.0	MFM-0914-06
9.0		14.0	19.0	10.0	2.0	MFM-0914-10
9.0		14.0	19.0	14.0	2.0	MFM-0914-14
10.0		12.0	18.0	7.0	1.0	MFM-1012-07
10.0		12.0	18.0	9.0	1.0	MFM-1012-09
10.0		12.0	18.0	12.0	1.0	MFM-1012-12
10.0	+0.040	12.0	18.0	17.0	1.0	MFM-1012-17
10.0		+0.130	14.0	19.0	9.0	2.0
10.0			14.0	19.0	10.0	2.0
10.0		14.0	17.5	14.0	1.0	MFM-1014-14
10.0		14.0	17.5	19.0	1.0	MFM-1014-19
10.0		14.0	17.5	24.0	1.0	MFM-1014-24
10.0		14.0	17.5	34.0	1.0	MFM-1014-34
10.0		14.0	19.0	8.0	2.0	MFM-101419-08
10.0		14.0	19.0	12.0	1.5	MFM-101419-12
10.0		14.0	20.0	12.0	2.0	MFM-101420-12
10.0		16.0	22.0	8.0	3.0	MFM-1016-08
10.0		16.0	22.0	10.0	3.0	MFM-1016-10
10.0		16.0	22.0	16.0	3.0	MFM-1016-16
10.0		16.0	20.0	6.0	3.0	MFM-101620-06
10.0		16.0	20.0	10.0	3.0	MFM-101620-10

尺寸 [mm]

d1	d1- 公差 ³⁾	d2	d3 d13	b1 h13	b2 -0.14	產品型號	d1	d1- 公差 ³⁾	d2	d3 d13	b1 h13	b2 -0.14	產品型號
12.0		14.0	20.0	7.0	1.0	MFM-1214-07	19.0		24.0	27.0	12.0	2.0	MFM-192427-12
12.0		14.0	20.0	9.0	1.0	MFM-1214-09	20.0		23.0	30.0	11.5	1.5	MFM-2023-11
12.0		14.0	20.0	12.0	1.0	MFM-1214-12	20.0		23.0	30.0	16.5	1.5	MFM-2023-16
12.0		14.0	20.0	17.0	1.0	MFM-1214-17	20.0		23.0	30.0	21.5	1.5	MFM-2023-21
12.0		16.0	22.0	10.0	2.0	MFM-1216-10	20.0		26.0	32.0	15.0	3.0	MFM-2026-15
12.0		16.0	22.0	20.0	2.0	MFM-1216-20	20.0		26.0	32.0	20.0	3.0	MFM-2026-20
12.0		18.0	24.0	8.0	3.0	MFM-1218-08	20.0		26.0	28.0	12.0	3.0	MFM-202628-12
12.0		18.0	22.0	10.0	3.0	MFM-1218-10	20.0		26.0	32.0	30.0	3.0	MFM-2026-30
12.0		18.0	24.0	12.0	3.0	MFM-1218-12	22.0		28.0	34.0	15.0	3.0	MFM-2228-15
12.0		18.0	22.0	15.0	3.0	MFM-1218-15	22.0		28.0	34.0	20.0	3.0	MFM-2228-20
12.0		18.0	22.0	20.0	3.0	MFM-1218-20	22.0		28.0	34.0	30.0	3.0	MFM-2228-30
13.0		15.0	20.0	14.0	2.0	MFM-1315-14	24.0		30.0	36.0	15.0	3.0	MFM-2430-15
13.0		16.0	24.0	8.0	2.0	MFM-131624-08	24.0		30.0	36.0	20.0	3.0	MFM-2430-20
14.0		16.0	22.0	12.0	1.0	MFM-1416-12	24.0		30.0	36.0	30.0	3.0	MFM-2430-30
14.0		16.0	22.0	17.0	1.0	MFM-1416-17	25.0		28.0	35.0	11.5	1.5	MFM-2528-11
14.0		20.0	25.0	7.0	3.0	MFM-1420-07	25.0		28.0	35.0	16.5	1.5	MFM-2528-16
14.0		20.0	25.0	10.0	3.0	MFM-1420-10	25.0	+0.065	28.0	35.0	21.5	1.5	MFM-2528-21
14.0		20.0	25.0	15.0	3.0	MFM-1420-15	25.0	+0.195	32.0	38.0	12.0	4.0	MFM-2532-12
14.0		20.0	25.0	20.0	3.0	MFM-1420-20	25.0		32.0	38.0	15.0	4.0	MFM-2532-15
15.0		17.0	23.0	9.0	1.0	MFM-1517-09	25.0		32.0	38.0	20.0	4.0	MFM-2532-20
15.0	+0.050	17.0	23.0	12.0	1.0	MFM-1517-12	25.0		32.0	38.0	30.0	4.0	MFM-2532-30
15.0	+0.160	17.0	23.0	17.0	1.0	MFM-1517-17	25.0		32.0	38.0	40.0	4.0	MFM-2532-40
15.0		21.0	27.0	10.0	3.0	MFM-1521-10	27.0		34.0	40.0	20.0	4.0	MFM-2734-20
15.0		21.0	27.0	15.0	3.0	MFM-1521-15	27.0		34.0	40.0	30.0	4.0	MFM-2734-30
15.0		21.0	27.0	20.0	3.0	MFM-1521-20	27.0		34.0	40.0	40.0	4.0	MFM-2734-40
15.0		21.0	27.0	25.0	3.0	MFM-1521-25	28.0		36.0	42.0	20.0	4.0	MFM-2836-20
16.0		18.0	28.0	8.0	2.0	MFM-1618-08/02	28.0		36.0	42.0	30.0	4.0	MFM-2836-30
16.0		18.0	24.0	12.0	1.0	MFM-1618-12	28.0		36.0	42.0	40.0	4.0	MFM-2836-40
16.0		18.0	24.0	17.0	1.0	MFM-1618-17	30.0		34.0	42.0	16.0	2.0	MFM-3034-16
16.0		22.0	28.0	12.0	3.0	MFM-1622-12	30.0		34.0	42.0	26.0	2.0	MFM-3034-26
16.0		22.0	28.0	15.0	3.0	MFM-1622-15	30.0		35.0	44.0	20.0	4.0	MFM-3035-20
16.0		22.0	28.0	20.0	3.0	MFM-1622-20	30.0		38.0	44.0	20.0	4.0	MFM-3038-20
16.0		22.0	28.0	25.0	3.0	MFM-1622-25	30.0		38.0	44.0	30.0	4.0	MFM-3038-30
18.0		20.0	26.0	12.0	1.0	MFM-1820-12	30.0		38.0	44.0	40.0	4.0	MFM-3038-40
18.0		20.0	26.0	17.0	1.0	MFM-1820-17	32.0		40.0	46.0	20.0	4.0	MFM-3240-20
18.0		20.0	26.0	22.0	1.0	MFM-1820-22	32.0		40.0	46.0	30.0	4.0	MFM-3240-30
18.0		24.0	30.0	8.0	3.0	MFM-1824-08	32.0		40.0	46.0	40.0	4.0	MFM-3240-40
18.0		24.0	30.0	12.0	3.0	MFM-1824-12	35.0	+0.080	39.0	47.0	16.0	2.0	MFM-3539-16
18.0		24.0	30.0	18.0	3.0	MFM-1824-18	35.0	+0.240	39.0	47.0	26.0	2.0	MFM-3539-26
18.0		24.0	30.0	20.0	3.0	MFM-1824-20	40.0		44.0	52.0	30.0	2.0	MFM-4044-30
18.0		24.0	30.0	30.0	3.0	MFM-1824-30	40.0		44.0	52.0	40.0	2.0	MFM-4044-40
18.0		24.0	26.0	7.8	3.0	MFM-182426-078	45.0		50.0	58.0	50.0	2.0	MFM-4550-50

³⁾ 按壓組裝後 測試方法 ▶ 頁碼 57